



US008237037B1

(12) **United States Patent  
Plummer**

(10) **Patent No.:** US 8,237,037 B1  
(45) **Date of Patent:** Aug. 7, 2012

(54) **ELECTRIC SPOON**

FOREIGN PATENT DOCUMENTS

(76) Inventor: **Larry L. Plummer**, Walkerton, IN (US)

GB 2183076 A \* 5/1987

\* cited by examiner

(\* ) Notice: Subject to any disclaimer, the term of this patent is extended or adjusted under 35 U.S.C. 154(b) by 0 days.

*Primary Examiner* — Kimberly Lockett

(74) *Attorney, Agent, or Firm* — Botkin & Hall, LLP

(21) Appl. No.: **12/945,276**

(22) Filed: **Nov. 12, 2010**

(57) **ABSTRACT**

**Related U.S. Application Data**

An electric spoon for being played as a musical instrument. The spoon has a head and an elongate handle. A sensor is mounted to the spoon for sensing vibrations transmitted through the handle when the spoon is struck. The sensor emits an electrical signal in response to the vibrations. The signals are used by an amplifier that may be connected to the spoon. Spoons can be joined together. Rivets or other mechanical fasteners may be used to keep the spoons together as a spoon set. When this is done one spoon has a sensor and the other does not, but serves to make contact with the other spoon when either is struck. The joined spoons can be used by a novice spoon player because less dexterity is required to keep the spoons in proper position when being played.

(60) Provisional application No. 61/267,958, filed on Dec. 9, 2009.

(51) **Int. Cl.**  
**G10D 13/08** (2006.01)

(52) **U.S. Cl.** ..... **84/402**

(58) **Field of Classification Search** ..... 446/265;  
84/402-410, 422, 4

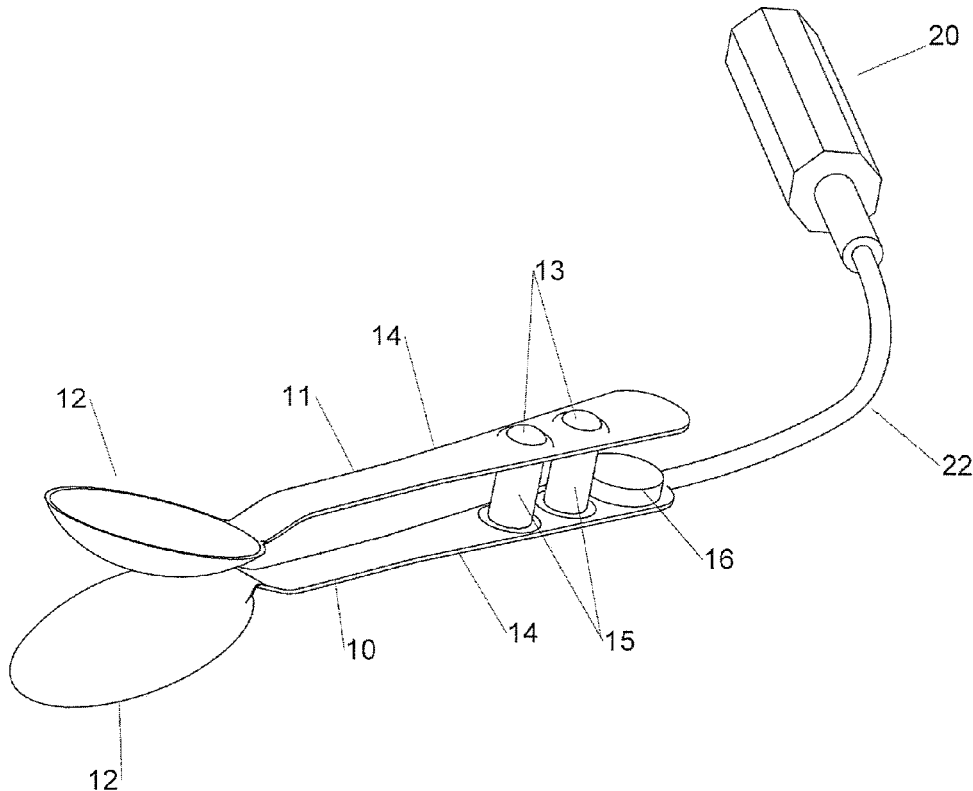
See application file for complete search history.

(56) **References Cited**

U.S. PATENT DOCUMENTS

2,616,218	A *	11/1952	Brown	.....	446/418
5,075,970	A *	12/1991	Albert	.....	30/123
5,811,709	A	9/1998	Adinolfi		
6,982,376	B2	1/2006	Wise		

**7 Claims, 3 Drawing Sheets**



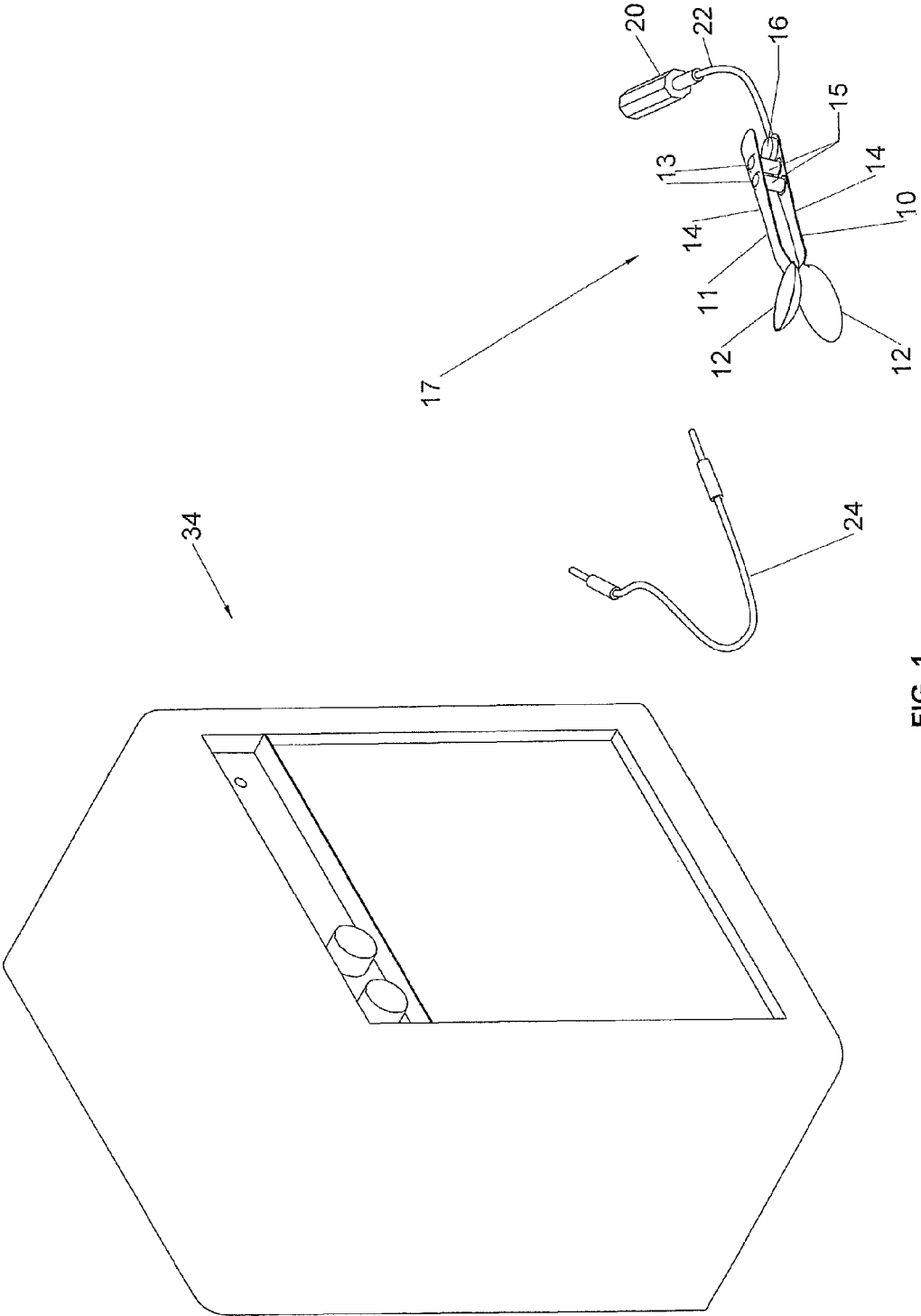
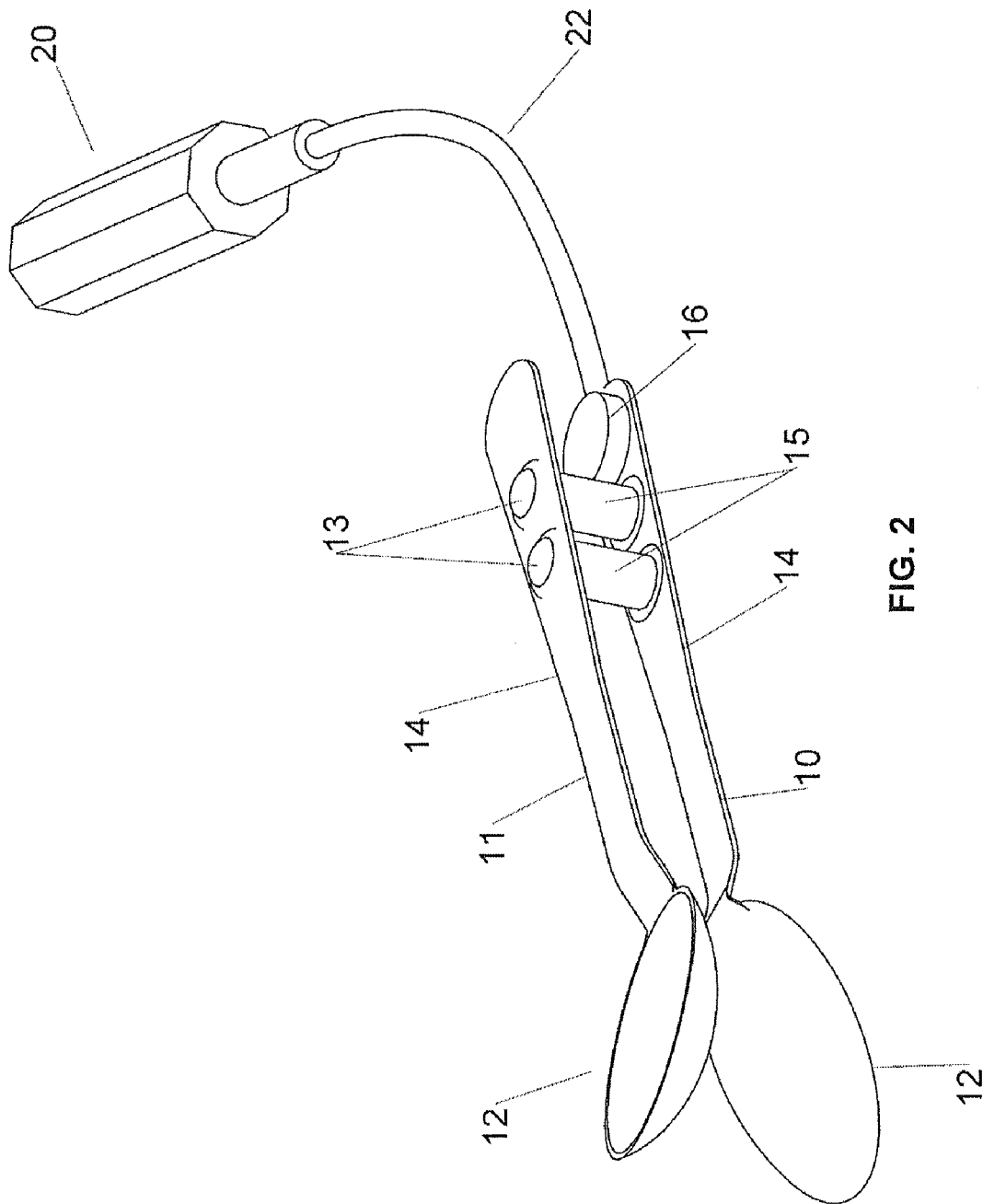


FIG. 1



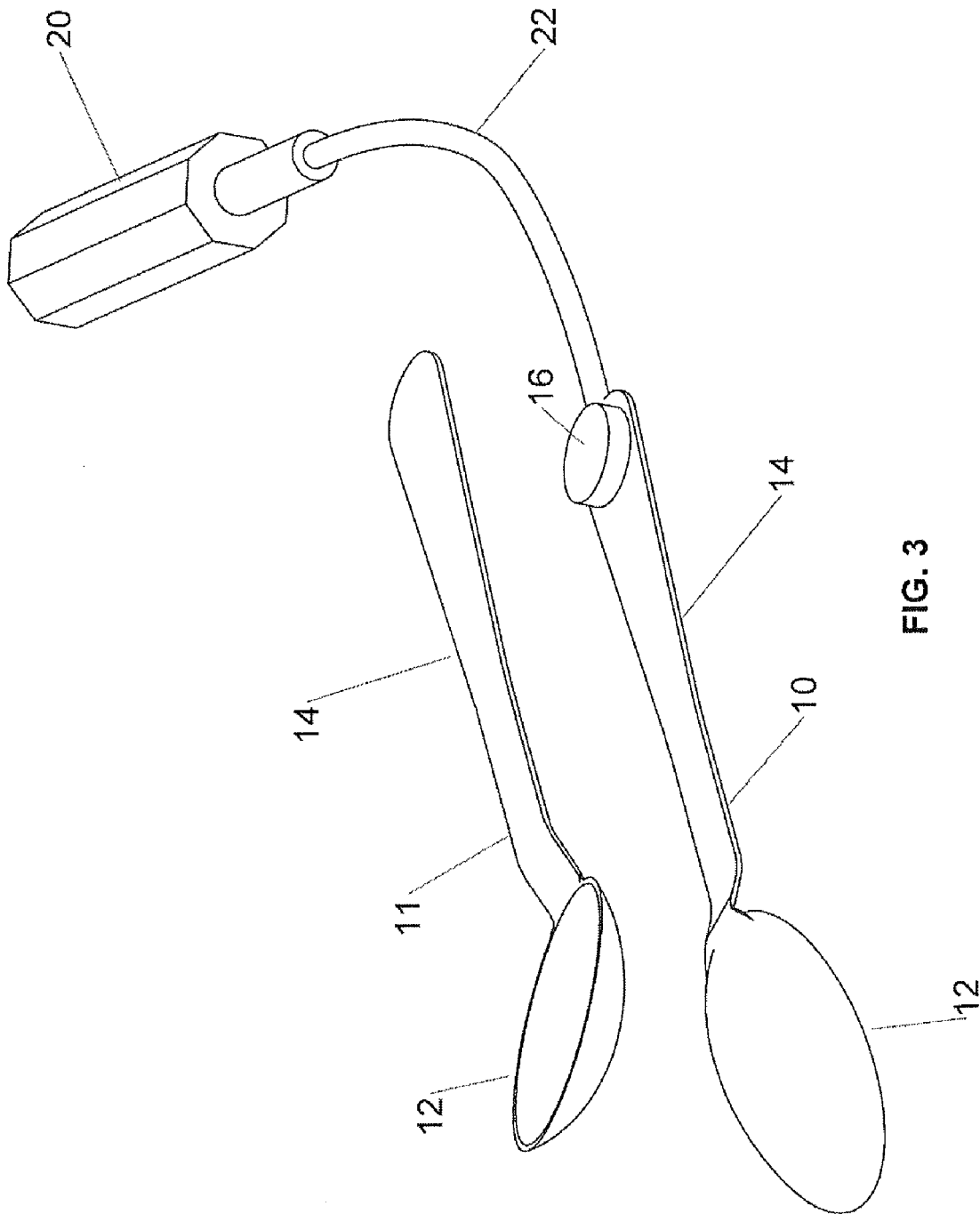


FIG. 3

**ELECTRIC SPOON**

CROSS REFERENCE TO RELATED APPLICATIONS

This application claims the benefit of U.S. Provisional Application No. 61/267,958, filed Dec. 9, 2009, the disclosure of which is hereby incorporated by reference.

BACKGROUND OF THE INVENTION

Spoons can be played as an instrument for a unique sound that cannot be produced with other instruments, but are often not played with other instruments in a band. A major reason spoons are not used as accompaniment is that they are typically overshadowed by louder instruments which would completely obscure the spoon player. Instruments such as electric guitars and drums can easily drown out spoons. Presently, there is not an available solution to this problem as there is no system which amplifies the sound of the spoons to a level that can blend with other instruments. Having spoons with an amplified sound is a desirable feature that would likely make spoons an instrument more often used in a band.

SUMMARY OF THE INVENTION

The present invention is an electric spoon for being played as a musical instrument. The spoon has a head and an elongate handle. A sensor is mounted to the spoon for sensing vibrations transmitted through the handle when the spoon is struck. The sensor emits an electrical signal in response to the vibrations. The signals are used by an amplifier that can be connected to the spoon.

In another aspect of the invention, two spoons may be joined together. In this case, rivets or other mechanical fasteners can be used to keep the spoons together as a spoon set. Only one spoon needs to have a sensor. When either spoon of the spoon set is struck, the spoons will contact.

BRIEF DESCRIPTION OF THE DRAWINGS

FIG. 1 shows an amplifier connecting plugs and the spoons;

FIG. 2 shows a larger, more detailed view, of the of the spoons shown in FIG. 1; and

FIG. 3 shows spoons that are unattached to each other.

DETAILED DESCRIPTION OF THE PREFERRED EMBODIMENT

The present invention is an electric spoon **10** which produces a much louder sound than conventional acoustic spoons. The electric spoon **10** of the present invention has a spoon **11** including a dished head **12** and a handle **14**. The handle **14** will vibrate when the head **12** is struck. A sensor **16** is attached to the end of the handle **14** opposite the head **12**. The sensor **16** is a drum trigger that emits a signal when it is caused to vibrate. The drum trigger **16** has a standard plug **20** on a short cord **22** that is typically used with coaxial instrument cables of the type used with electric guitars and amplifiers. The short cord **22** may then be used with an extension cord **24** so that the drum trigger **16** may be plugged into another device. The drum trigger **16** is attached to the spoon **10** with adhesive tape **30**, glue, or may be attached with heat shrink tubing. The drum trigger **16** is typically a piezoelectric transducer, but may be any other type of device capable of emitting a signal in response to sonic vibration.

The extension cord **24** can be plugged into an amplifier **34**. The amplifier **34** receives signals from the drum trigger **16** and amplifies them. The amplified signals are then sent to an internal speaker within the amplifier **34** so the amplified signals are converted to audible sound.

When a user of the electric spoon **10** plays the spoon, he will have another matching spoon **11** held closely to the electric spoon **10** and the spoons **10, 11** are struck together. In FIG. 1 rivets **13** hold the spoons **10, 11** together to form a spoon set **17**. Spacers **15**, which are tubular segments, are placed around the rivets to maintain a slight spacing between the heads **12** of the spoons **10, 11**. The spoons **10, 11** are close enough together that the handles **14** will flex allowing the heads **12** to touch when either spoon **10, 11** is struck. This embodiment requires less dexterity as a user will not have to use a finger to keep the spoons separate during play. In the embodiment shown in FIG. 3, the user must use a finger to keep the spoons separate during play. In either embodiment, when the spoons **10, 11** are struck together, which is often done on a knee, vibrations will travel from the heads **12** up the handles **14** of the spoons **10, 11**. The vibrations in the spoons **10, 11** will be audible. The vibrations will also be received at the drum trigger **16**. The drum trigger **16** will generate a signal in response to the sonic vibrations traveling within the electric spoon **10** and send the signal to the amplifier **34**. The amplifier **34** will then amplify the signal and send the amplified signal to a speaker. The speaker within the amplifier **34** produces a sound that can be heard. The amplifier **34** is the same type of amplifier that can be used with electric guitars and therefore, minimizes the equipment that a musician would need to play the electric spoon **10** of this invention since such amplifiers are readily available.

This invention is not limited to the details above, but may be modified within the scope of the following claims.

What is claimed is:

1. An electric spoon set comprising:

a pair of spoons each having a head and an elongate handle, said spoons being mounted oppositely to each other with said heads being spaced so that striking either spoon with sufficient force will cause said spoons to flex and contact each other; and

a sensor mounted to one of said spoons for sensing vibrations transmitted through said handle when said spoon is struck said sensor emitting electrical signals in response to said vibrations said signals from said sensor being useable by an amplifier electrically connected to said sensor.

2. An electric spoon set as claimed in claim 1, wherein said spoons are fastened with a mechanical fastener extending through both said handles of said spoons.

3. An electric spoon set as claimed in claim 2, wherein said mechanical fastener is a rivet.

4. An electric spoon set as claimed in claim 3, wherein said spoon includes a tubular spacer surrounding said rivet to maintain spacing between said spoons.

5. An electric spoon set as claimed in claim 2, wherein said spoons are fastened together with a pair of mechanical fasteners, each said fastener extending through both handles of said spoons.

6. An electric spoon set as claimed in claim 5, wherein said mechanical fasteners are rivets.

7. An electric spoon set as claimed in claim 6, wherein said rivets are surrounded by a tubular spacer to maintain spacing between said spoons.